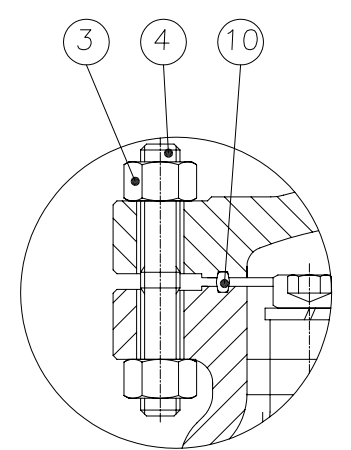
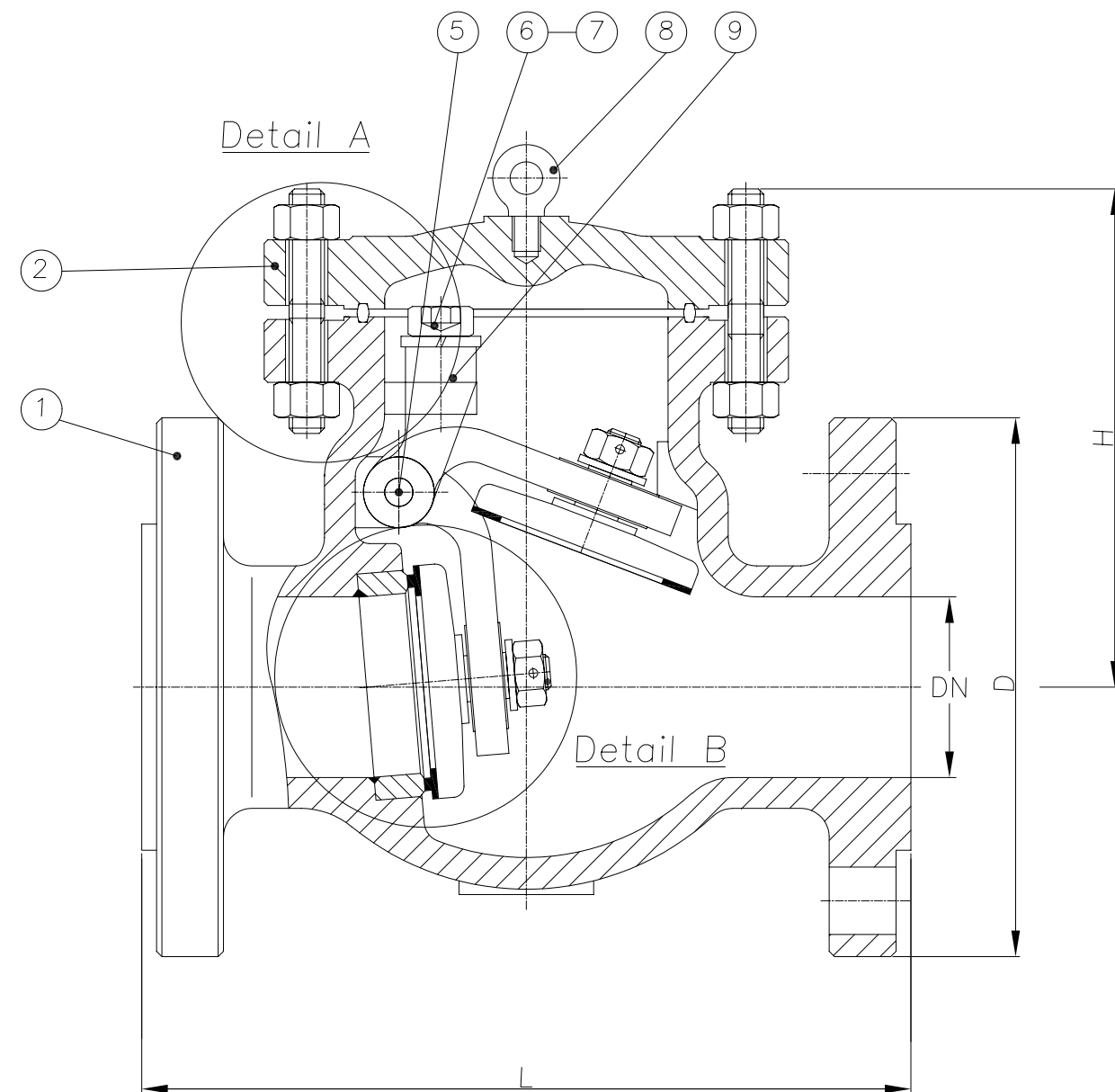


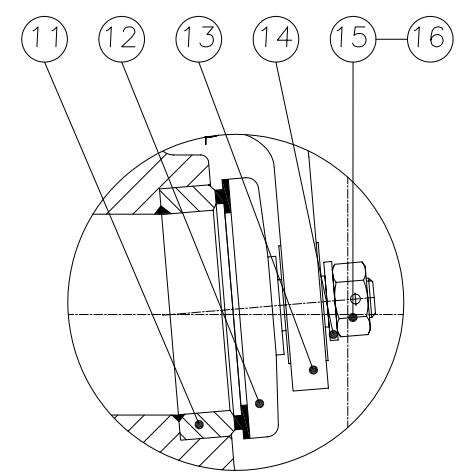
MATERIALS TO MAKE MR0175, LATEST EDITION (WETTED PARTS).

1 | 2 | 3 | 4 | 5 | 6 | 7 | 8

A
B
C
D
E



Detail A



Detail B

BILL OF MATERIALS

NO.	DESIGNATION	QTY	MATERIAL	NOTES
1	BODY	1	ASTM A216 WCB	
2	COVER	1	ASTM A216 WCB	
3	COVER NUT	1	ASTM A194 2HM	
4	COVER BOLT	1	ASTM A193 B7M	
5	HINGE PIN	1	CARBON STEEL	
6	EYE BOLT	1	ASTM A193 B7M	
7	SPRING WASHER	1	SPRING STEEL	
8	STATIONARY RING	1	CARBON STEEL	
9	BEARING BRACKET	1	ASTM A216 WCB	
10	GASKET	1	316+GRAPHITE	
11	SEAT	1	ASTM A105+STL	
12	DISC	1	ASTM A216 WCB	
13	HINGE	1	ASTM A216 WCB	
14	DISC WASHER	1	CARBON STEEL	
15	DISC NUT PIN	1	CARBON STEEL	
16	VALVE NUT	1	ASTM A194 2HM	

ITEM NO.	N.B	DN	L	D	H
	2"	51	267	165	152
	3"	76	318	210	197
	4"	102	356	254	222
	6"	152	445	318	273
	8"	203	533	381	324
	10"	254	622	445	413
	12"	305	711	521	432
	14"	337	838	584	499
	16"	387	864	648	572
	18"	435	978	711	635
	20"	483	1016	775	673
	24"	591	1346	914	794

ENGINEERING DATA

DESIGN CODE	BS 1868/ANSI B16.34	TEST PRESSURES		
FACE TO FACE DIMENSIONS	ASME B16.10	BODY	76.65	Barg
ENDS CONNECTION DIMENSIONS	ASME B16.25	SEAT	56.21	Barg
TESTING CODE	API 598	BACKSEAT	56.21	Barg
		AIR - SEAT	6.0	Barg

BY	CHK	APP	SCALE:	
			DRAWN	DATE
			CHECKED	DATE
			APPROVED	DATE

DRAWING TITLE:
CAST STEEL CLASS 300
BOLTED COVER, RF, SWING CHECK VALVES

PROJECT:
PACKAGE:
VENDOR DOC.NO.:



CAD. No.	DRAWING NUMBER:	120063	REV
	AREA No.	FACILITY	TYPE SEQ. No. SHT. No.

1 | 2 | 3 | 4 | 5 | 6 | 7 | 8